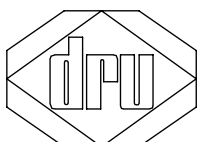
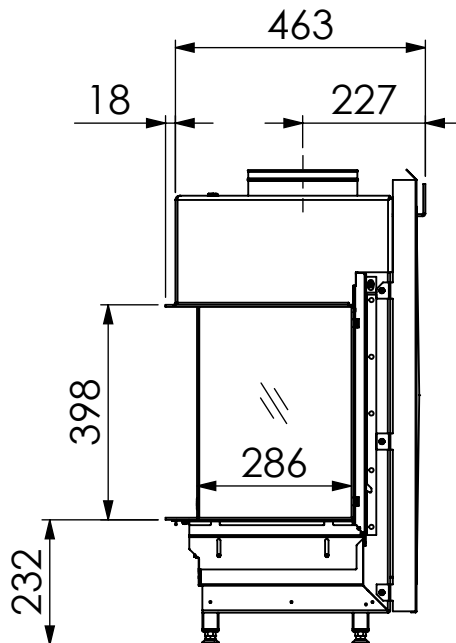
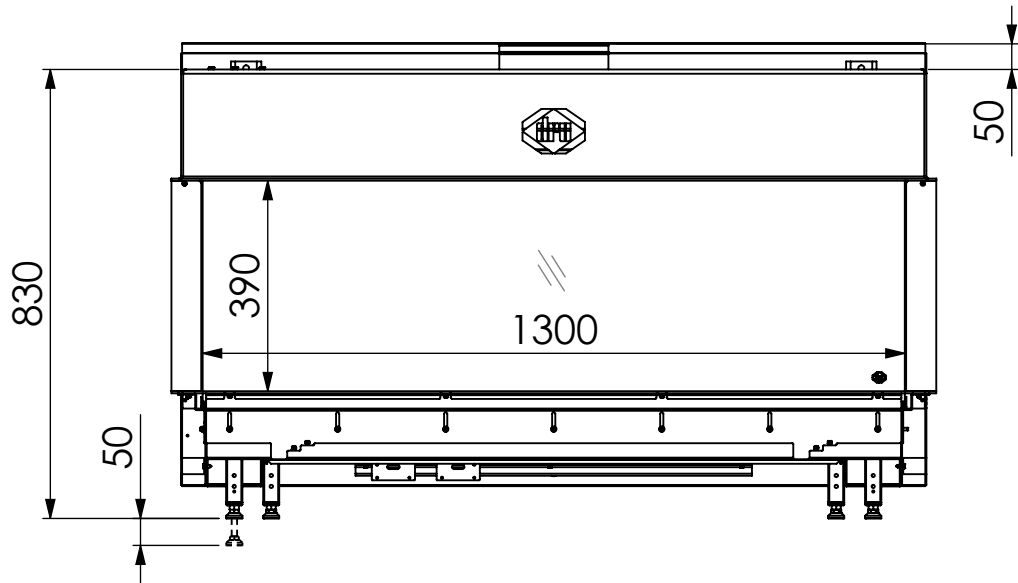
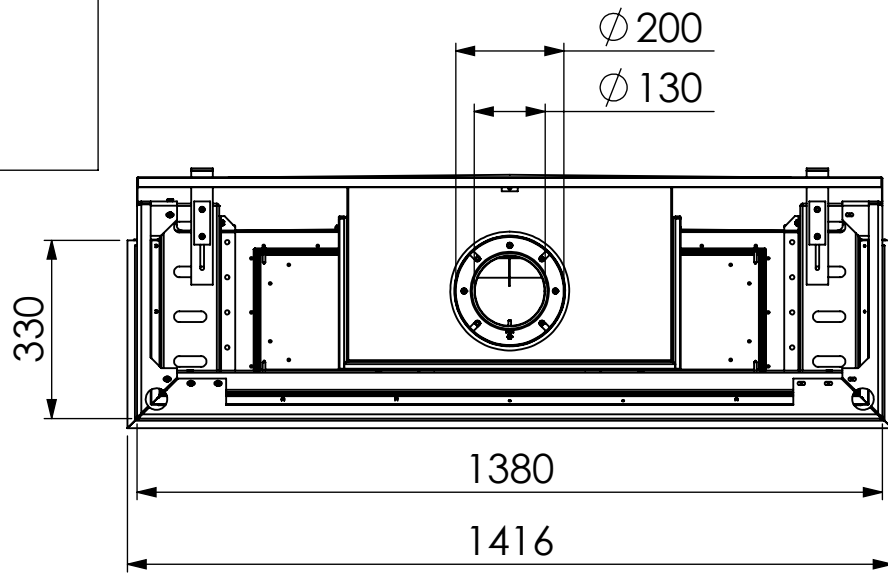
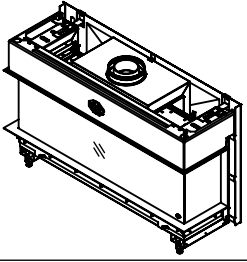


# Metro 130XT/3 RCH



# Metro 130XT/3 RCH

8S B=100 (64)

