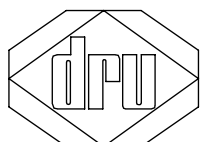
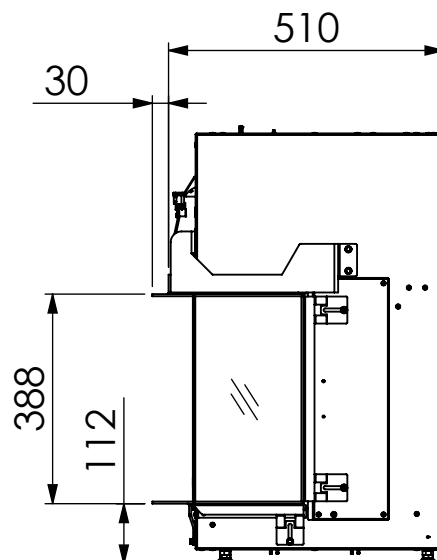
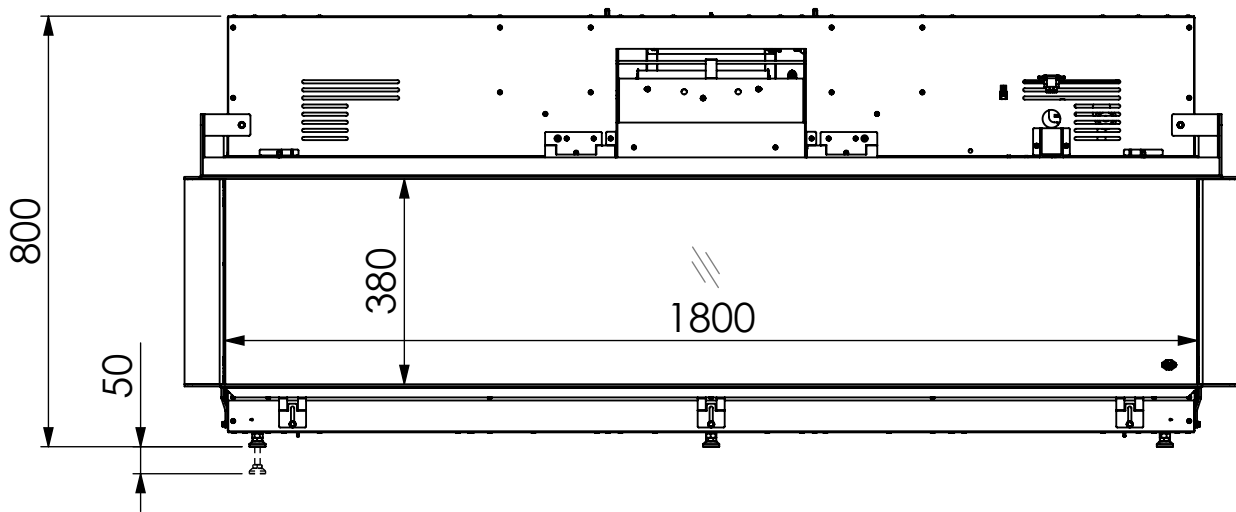
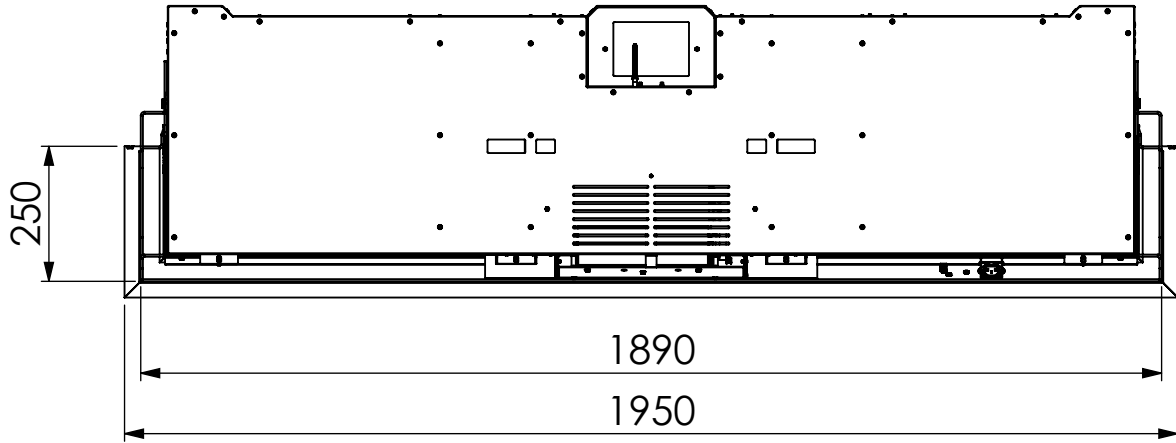
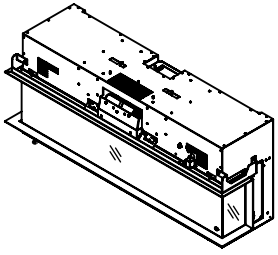
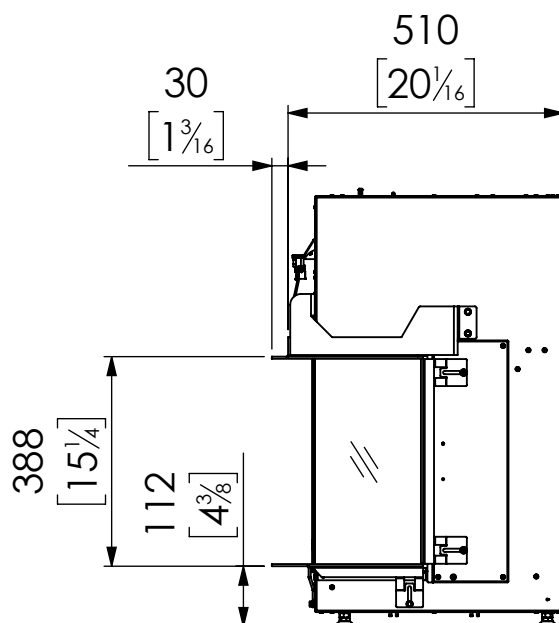
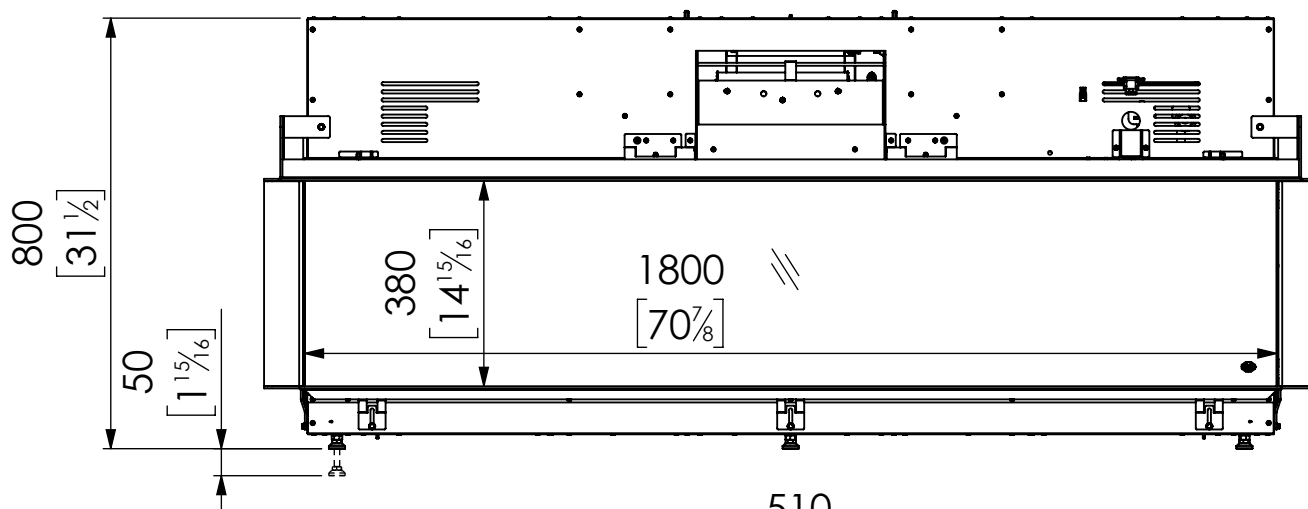
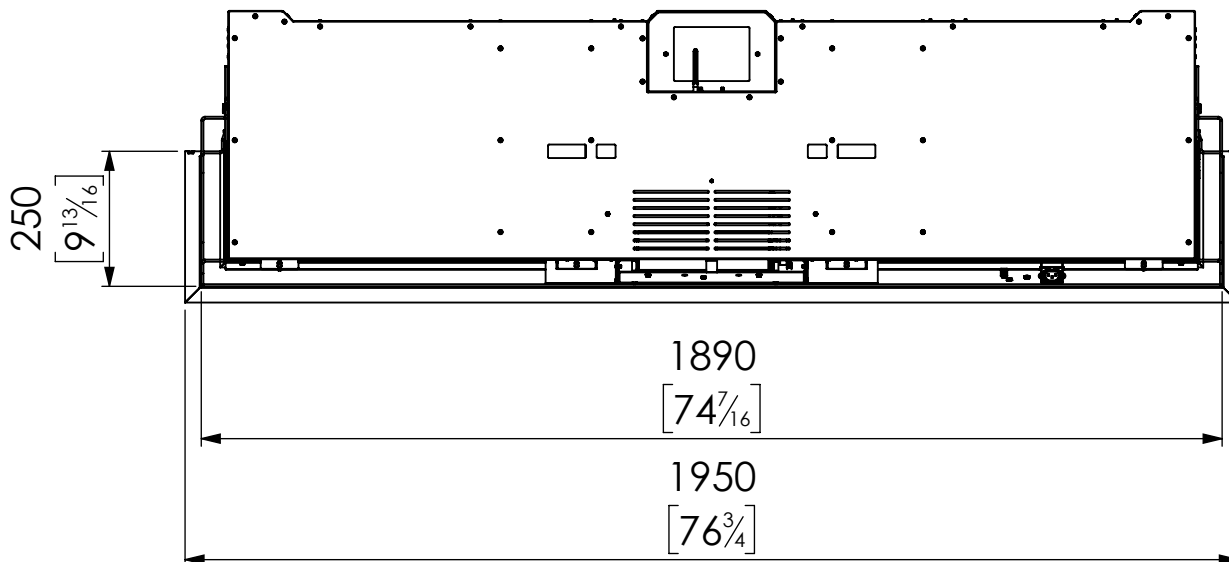
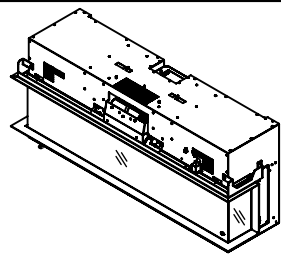


Virtuo 180/3 Evolve



Virtuo 180/3 Evolve



x = mm
[x] = inch

